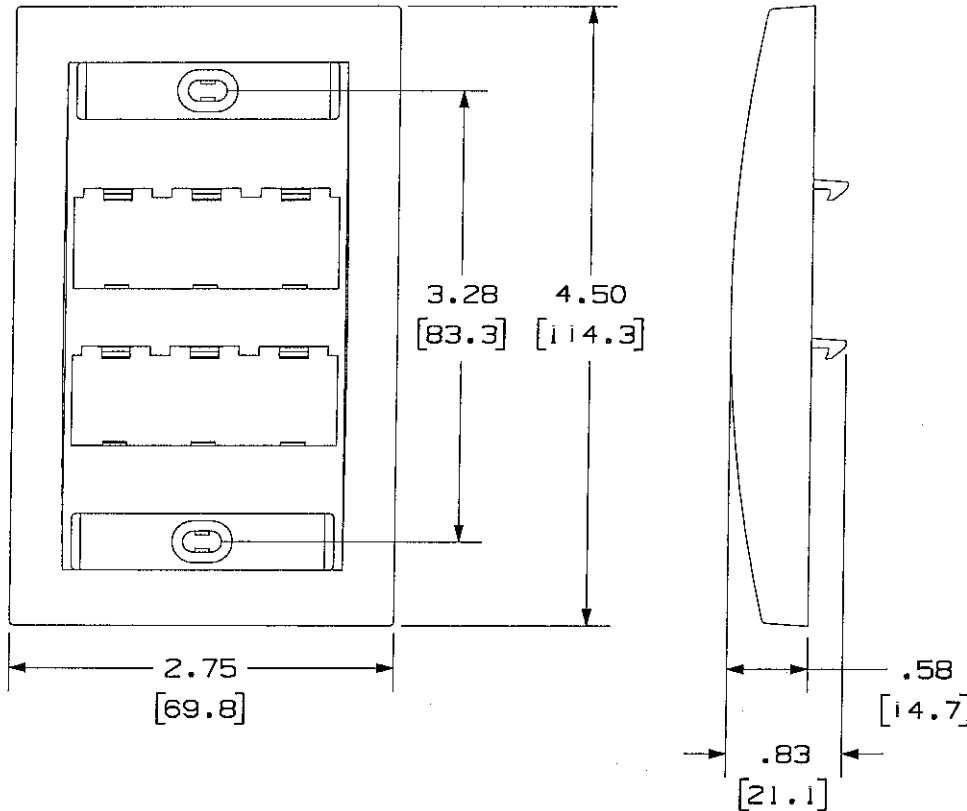


THIS COPY IS PROVIDED ON A RESTRICTED BASIS AND IS NOT TO BE USED IN ANY WAY DETRIMENTAL TO THE INTERESTS OF PANDUIT CORP.

PANDUIT P/N	WEIGHT
CFPE6**Y	.67 LB/10 PCS 303.9 g/10 PCS



NOTES:

- SEE CURRENT CATALOG FOR ADDITIONAL PART NUMBER SUFFIXES TO INDICATE COLOR AND OR PACKAGE QUANTITY.
- SEE CATALOG FOR COMPLETE LIST OF PARTS APPLICABLE FOR USE WITH THIS PART.
- DIMENSIONS IN () ARE IN METRIC.
- PART INCLUDES:
 - 1- FACEPLATE
 - 2- LABEL
 - 2- LABEL COVER
 - 2- MOUNTING SCREW

NETWORK SYSTEMS
MAY 25 2006
ENGINEERING DEPT

DRAWING FILENAME M02479EM_DC119_00A.PRT		SIZE A
MINI-COM 6 POSITION EXECUTIVE SERIES FACEPLATE CUSTOMER DRAWING		
	PANDUIT TM CORP. TINLEY PARK, ILL 60477	I.I. NUMBER N/A
	THIRD ANGLE PROJECTION	PRODUCT SPEC N/A
ALL DIMENSIONS ARE GIVEN IN INCHES, UNLESS OTHERWISE SPECIFIED. DIMENSIONAL TOLERANCES ARE: (.X) ± (.XXX) ± .010(.3) (.XX) ± .031(.8) ANGLES ±		WORK INSTRUCTION N/A
DRAWN BY JsP	MATERIAL: ABS	SCALE NONE
DATE 4-26-06	RELEASED TO PRODUCTION	PART NO. CFPE6**Y
REV	DATE	BY
CHK'D	DESCRIPTION	DRAWING NO. 02479-119

REV	DATE	BY	CHK	DESCRIPTION	ECN	R	CUST	SUP	OTH
R	4-26-06	JsP	<i>MJO</i>	RELEASED TO PRODUCTION	02479-119	<i>MJO</i>	<i>MJO</i>		